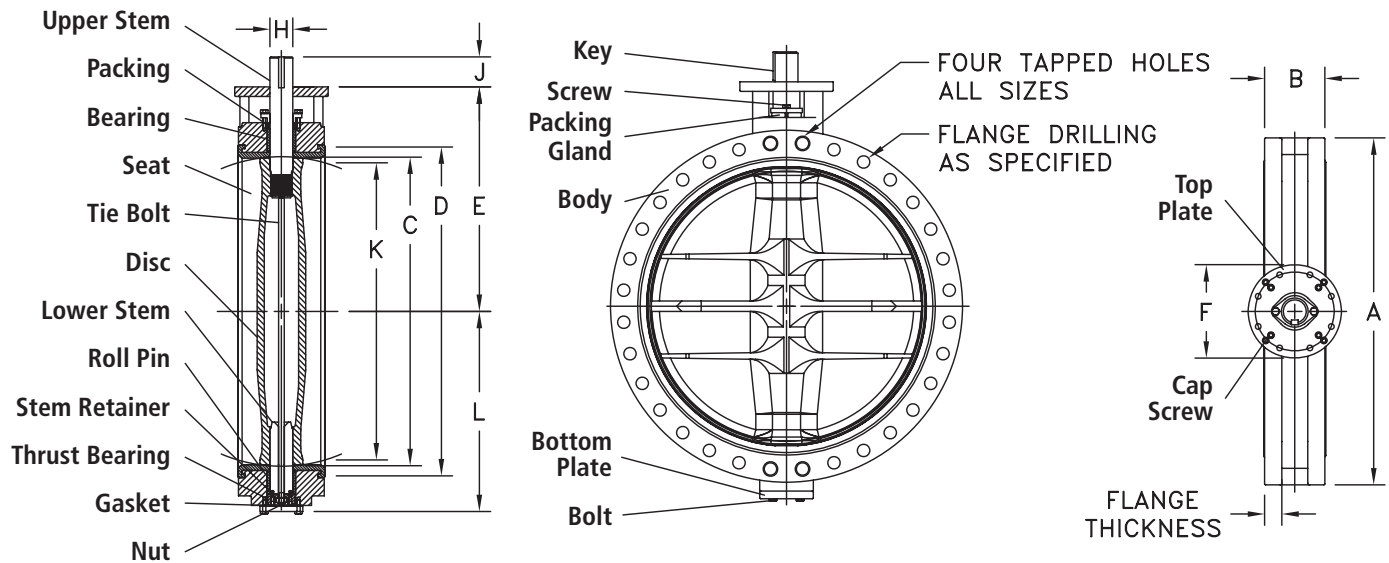


Series 35F Double Flange



IMPERIAL DIMENSIONS: Inches

Valve Size	A	B	Flange Thk.	C	D	E	F	Top Plate Drilling			H	J	Key Size	K	L	Adapter Code	Weight (lbs)
								BC	No of Holes	Hole Diameter							
32	41.75	7.48	2.00	30.39	33.70	26.37	11.81	10.00	8	.71	2.50	4.00	.62 x .62	29.57	21.88	F25-1	972
36	46.00	7.88	2.00	33.50	38.25	27.75	13.78	11.73	8	.81	2.50	4.00	.62 x .62	34.50	23.60	TBA	1079
40	50.75	8.50	1.97	38.37	41.58	30.78	13.78	11.73	8	.81	3.00	4.00	.75 x .75	37.45	26.56	F30-1	1945
42	53.00	9.88	2.62	41.25	44.25	32.00	13.78	11.73	8	.81	3.00	4.00	.75 x .75	40.20	27.81	F30-1	2282
44	55.25	9.88	2.62	43.25	46.25	33.12	13.78	11.73	8	.81	3.50	5.25	.88 x .62	42.20	29.06	F30-2	2520
48	59.50	10.88	2.75	47.25	50.62	36.00	16.34	14.02	8	1.30	3.50	5.25	.88 x .62	46.13	31.06	TBA	2880
54	69.00	15.36	3.00	54.12	57.50	40.62	13.78	11.73	8	.81	4.00	5.25	1.00 x .75	51.88	37.19	F30-3	5290
60	73.00	15.00	3.12	58.39	63.07	44.31	16.34	14.02	8	1.56	5.00	6.00	1.25 x .88	56.62	39.56	F30-4	5671

Note: K dimension is disc chordal dimension at valve face.

Metric DIMENSIONS: Millimeters

Valve Size	A	B	Flange Thk.	C	D	E	F	Top Plate Drilling			H	J	Key Size	K	L	Adapter Code	Weight (kg)
								BC	No of Holes	Hole Diameter							
800	1060	190	51	772	856	670	300	254	8	18	64	102	16 x 16	751	556	F25-1	441
900	1168	200	51	851	972	705	350	298	8	21	64	102	16 x 16	876	599	TBA	489
1000	1289	216	50	975	1056	782	350	298	8	21	76	102	19 x 19	951	675	F30-1	882
1050	1346	251	67	1048	1124	813	350	298	8	21	76	102	19 x 19	1021	706	F30-1	1035
1100	1403	251	67	1099	1175	841	350	298	8	21	89	133	22 x 16	1072	738	F30-2	1143
1200	1511	276	70	1200	1286	914	415	356	8	33	89	133	22 x 16	1172	789	TBA	1306
1400	1753	390	76	1375	1461	1032	350	298	8	21	102	133	25 x 19	1318	945	F30-3	2400
1500	1854	381	79	1483	1602	1125	415	356	8	40	127	152	32 x 22	1438	1005	F30-4	2572

Note: K dimension is disc chordal dimension at valve face.

Drawings are for reference only. Please refer to Bray ES drawings on the Bray website, www.bray.com. Bray reserves the right to change product dimensions without notice.

SR Drawing #35F-32/60-im January - 2015

Inquire/P.O. No.: _____

Customer/Project: _____

Bray Order No.: _____